

Speed · Security · Stability · Simplicity

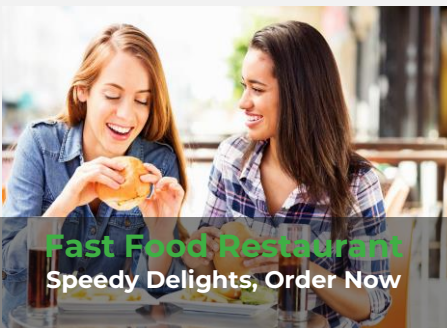
ER605 Edge Router



- 5G
- SD-WAN
- Gigabit Ethernet
- Cost-effective
- Cloud-Managed

The InHand ER605 is a versatile edge access router that connects stores and offices to the network through a wide range of 5G/4G cellular or wired broadband to ensure uninterrupted store operations and productivity. Equipped with gigabit Ethernet and gigabit Wi-Fi LAN access, ER605 can support network access to various digital terminals and offer them excellent network performance and high availability.

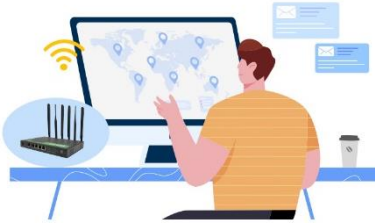
Our solution also provides a one-stop network management platform — InCloud Manager, offering centralized configuration, remote upgrades and troubleshooting, and one-stop dynamic management of terminals and applications.



Features and Advantages

Flexible Connectivity, Outstanding Reliability

ER605 supports wired broadband, 4G/5G, and Wi-Fi with link backup and load balancing capabilities. Its gigabit Ethernet port supports WAN/LAN or dual WAN. The gigabit Wi-Fi supports 802.11 ac/a/b/g/n, providing a maximum bandwidth of up to 1200Mbps.



Convenient Cellular Access with High-speed 5G

ER605 supports global operator 5G access with 2Gbps downlink speed and both SA and NSA networking modes. With the high bandwidth and low latency, ER605 can build a more robust network and free your business development from any constraints.



Multiple Traffic Strategies, Easy Network Orchestration

ER605 supports policy routing, traffic shaping, and multiple VPN protocols including IPsec, L2TP, and VXLAN. The innovative design can enhance the network access experience while easing the workload for IT personnel.



SD-WAN Boosts Fast Branch Interconnection

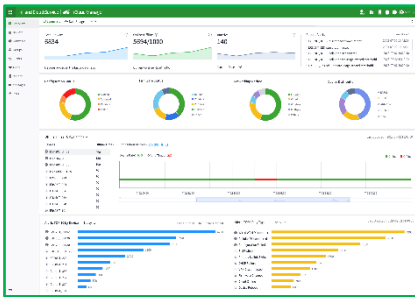
ER605 combined with InCloud Manager can quickly build SD-WAN networking to realize branch interconnection, offering you more flexibility and cost efficiency compared to traditional methods.

Comprehensive Security Protection

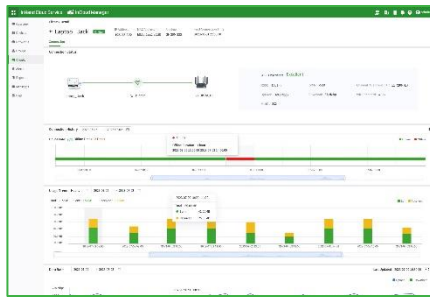
ER605 helps you gain insights into encrypted traffic with multiple security policies like firewalls, threat identification, and intrusion detection, proactively preventing unpredictable attacks.

Visualized Insights for Simplified Operations

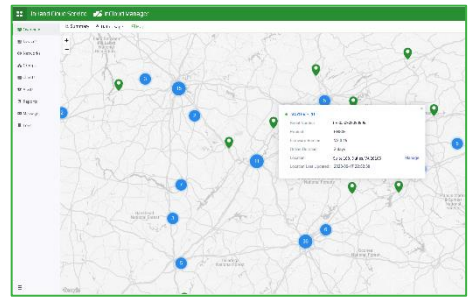
The solution helps you monitor WAN, access, and applications with end-to-end visibility all in InCloud Manager for valuable insights to optimize the network and identify areas for improvement.



Centralized Management

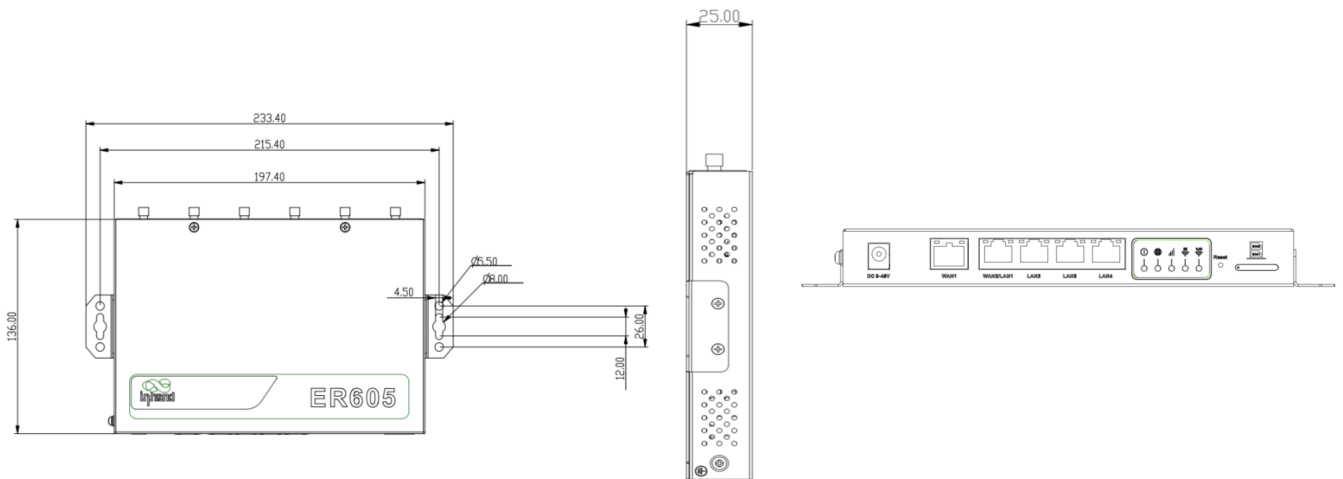


Visualized Monitor



Zero-touch Deployment

Dimensions (mm)



Dimensions: 198 * 137 * 25 (mm)

Product Specifications

ER605 Hardware Specifications	
Hardware	
Throughput	500Mbps
IPsecVPN Throughput	30-50Mbps
Recommended users	50-100
RAM	256 MB
Flash	128 MB
Interfaces	
Cellular	5G, downlink 2Gbps,Sub6 (450MHz to 6GHz), 4G
Ethernet Port	5*10/100/1000Mbps Ethernet, Supports WAN/LAN switching and dual WAN
Reset Button	Pinhole reset button
SIM Card	Dual-NANO SIM
Antenna Connector	4G: SMA x2; Wi-Fi: RP-SMA x 2 5G: SMA x4; Wi-Fi: RP-SMA x 2
Wi-Fi	
Standard	Wi-Fi 802.11a/b/g/n/ac
Maximum Rate	1200 Mbps
Transmission Power	2.4GHz: 18dBm 5GHz:17dBm
Antenna Gain	≤5 dBi
Power	
Standby Power	2A@12V
Peak Power	≤24W
Environment	
Storage Temp	-40 ~ 85°C
Working Temp	-10 ~ 50°C
Ambient Humidity	5 ~ 95% (non-condensing)
IP Level	IP30
Indicator	
LED	Power, Network, Signal, Wi-Fi
EMC	
EMC	level 2
Mechanical Specs	
Dimensions	198 * 137 * 25(mm)
Weight	848 g
Installation	Bracket mount, wall mount.
Certification	
CE	

ER605 Software Features	
Cloud Management	
InCloud Manager	Unified device access Zero-touch remote deployment Bulk upgrades Remote configuration deployment SD-WAN networking Connector remote maintenance Two-factor authentication
Visualization	
Dashboard	Device connectivity status Traffic statistics Cellular signal statistics Interface status Client statistics and analysis
Uplink Management	
Network Access	5G/4G, wired, Wi-Fi
Dialing Services	PPPoE, cellular automatic redial, dual SIM switching, and APN configuration
Intelligent Links	Real-time link detection
Network Functions	
IP Protocols	IPv4, IPv6
Network Protocols	VLAN,DHCP (Server/Client) , DHCP Snooping, DNS, URL Filtering, DDNS, Fixed Address allocation, IP Passthrough, STP, ARP, ICMP
VPN	IPsec VPN, L2TP VPN, VXLAN, GRE*,
SD-WAN	Support SD-WAN networking
Routing	Static routing
Wi-Fi	Supports multiple SSID modes SSID VLAN attributes SSID hiding, guest mode and custom splash portal Encryption methods:WPA、 WPA2、 WPA-PSK、 WPA2-PSK
Security	
Firewall	L3 inbound/outbound rules Port forwarding SNAT, DNAT Remote access control Black and white list filtering Domain filtering Portal authentication. 802.1 X
Reliability	
Traffic Shaping	QoS based on link, IP, and protocol
Upgrades	Supports scheduled upgrades
Logs	Supports runtime logs, diagnostic logs
Events	Supports user logins, connection disconnects, device reboots, and other operational events
Alarms	Supports local email alarms on the device Supports platform SMS and email alarms
Diagnostic Tools	ICMP, packet capture, tracer

The feature marked with * is under development.

Ordering Guide

Model	Model code: ER605-<WMNN>-<WLAN/NA>	<WLAN/NA>: Wi-Fi
<WMNN>: Cellular Type & Module		
ER605-NRF2-<WLAN/NA>	China, 5G 5G NR n1/n3*/n5/n8/n28/n41/n78/n79 LTE-FDD B1/B3/B5/B7*/B8 LTE-TDD B34/B38/B39/B40/B41 WCDMA B1/B5/B8	WLAN: Wi-Fi <NA>: no Wi-Fi
ER605-NRF4-<WLAN/NA>	EU&APAC, 5G 5G NR n1/3/5/7/8/20/28/n38/40/41/66/71/77/78 LTE-FDD B1/3/5/7/8/20/28/66/71 LTE-TDD B38/40/41 WCDMA B1/B3/B5/B8	WLAN: Wi-Fi <NA>: no Wi-Fi
ER605-LQ20-<WLAN/NA>	China, CAT4 FDD B1/B3/B5/B8 TDD B34/B38/B39/B40/B41 WCDMA B1/B5/B8 GSM/EDGE B3/B8	WLAN: Wi-Fi <NA>: no Wi-Fi
ER605-FF39-<WLAN/NA>	North America, CAT6 LTE-FDD B2/B4/B5/B7/B12/B13/B14/B17/B25/B26/B29/B30/B66/B71 LTE-TDD B41(194M)/B42/B43/B46/B48 WCDMA B2/B4/B5	WLAN: Wi-Fi <NA>: no Wi-Fi
ER605-FQ58-<WLAN/NA>	EU&APAC LTE-FDD B1/B3/B5/B7/B8/B20/B28A LTE-TDD B38/B40/B41 WCDMA B1/B8 GSM/EDGE B3/B8	WLAN: Wi-Fi <NA>: no Wi-Fi
ER605-EN00-<WLAN/NA>	No Module	WLAN: Wi-Fi <NA>: no Wi-Fi

About Us

InHand Networks is a leading IoT solutions provider founded in 2001, dedicated to driving digital transformation across industries and empowering customers to unlock their full potential and achieve accelerated growth.

We specialize in delivering industrial-grade connectivity solutions for diverse sectors, such as enterprise networks, industrial and building IoT, digital energy, smart commerce, and mobility. Our comprehensive product portfolio and services cater to various applications worldwide, including smart manufacturing, smart grid, intelligent transportation, smart retail, etc. With a global footprint spanning over 60 countries, we serve customers in China, the United States, France, Germany, the United Kingdom, Italy, and beyond.



3650 Concorde Pkwy, Suite 200,
Chantilly, VA 20151, USA
T: +1 (703) 348-2988
E: info@inhand.com
www.inhand.com